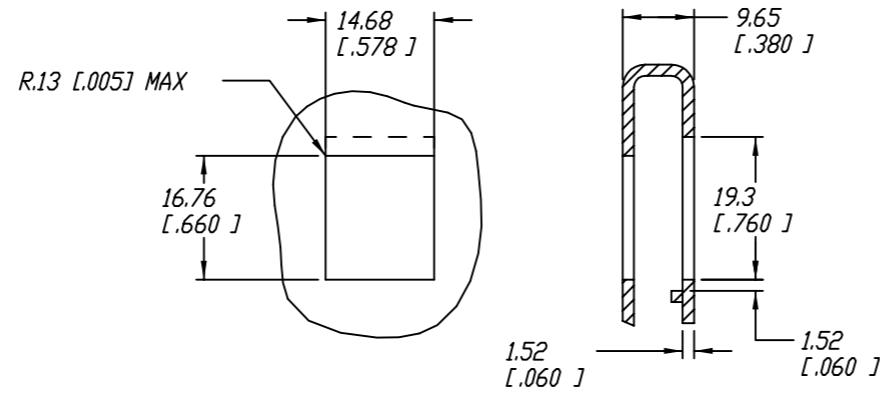


ITEM	DESCRIPTION	QTY	
1	SHIELDED ZMAX MODULE CAT 6A	1	0
	SHIELDED ZMAX MODULE CAT 5e	0	1
2	KEYSTONE MOUNTING BEZEL, COLORED	1	1
3	LACING/TERMINATION MODULE	1	1
-	INSTRUCTION DOC.	1/20	1/20
-	Z-TOOL	1/20	1/20

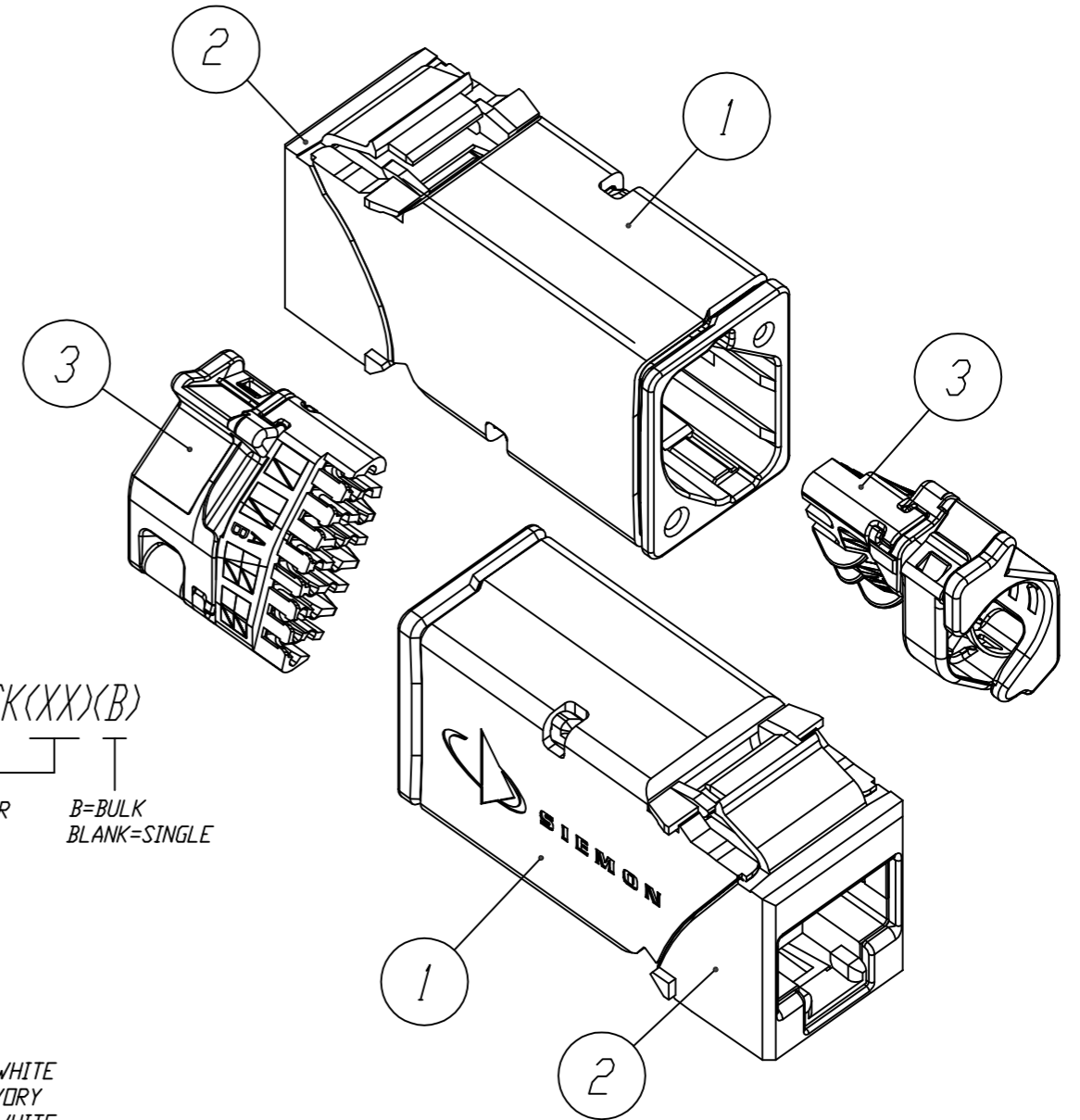
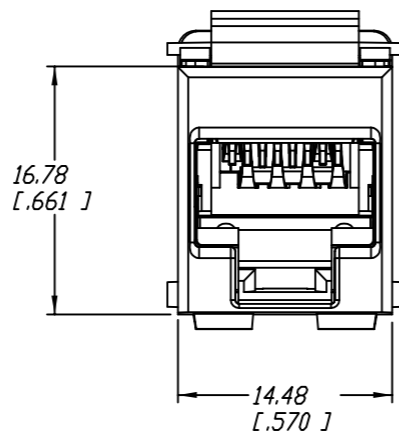
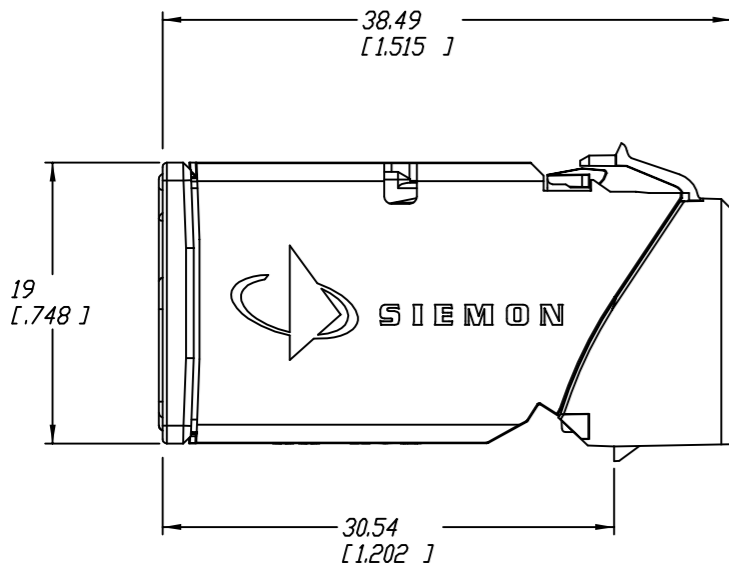
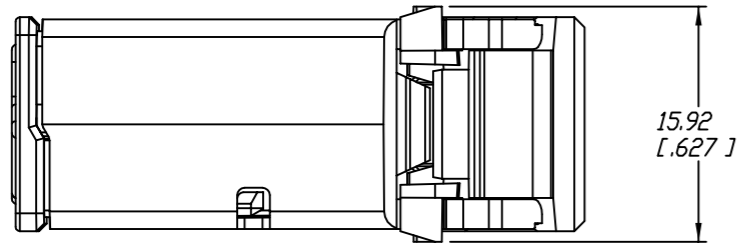
Z6A-SK(XX)  
Z5-SK(XX)

(B1)



RECESSED MOUNTING INFORMATION  
SCALE 1:1

REV.	ECD NO.	REVISIONS	BY	DATE	APVD.
A	2077	NEW RELEASE	DRH	10/29/08	DG 10/30/08
B	CU-0019	B1: ADDED CATEGORY 5e	NN	11/29/11	DG 11/29/11
C	3316	C1: UPDATED NOTE #1: WAS ZINC PLATED ZINC/ALUMINUM ALLOY	WP	3/19/12	MY/DG 3/20/12



Z(XX)-SK(XX)(B)

- 5=CATEGORY 5e
- 6A=CATEGORY 6A
- BEZEL COLOR
- 01=BLACK
- 02=WHITE
- 03=RED
- 04=GRAY
- 05=YELLOW
- 06=BLUE
- 07=GREEN
- 09=ORANGE
- 20=IVORY
- 25=BRIGHT WHITE
- 80=LIGHT IVORY
- 82=ALPINE WHITE
- B=BULK
- BLANK=SINGLE

PROPRIETARY INFORMATION  
THIS DOCUMENT CONTAINS PROPRIETARY INFORMATION OF THE SIEMON COMPANY AND IS DELIVERED ON THE EXPRESSED CONDITIONS THAT IT IS NOT TO BE DISCLOSED OR REPRODUCED IN WHOLE OR PART, OR USED FOR MANUFACTURING FOR ANYONE OTHER THAN THE SIEMON COMPANY WITHOUT ITS WRITTEN CONSENT AND THAT NO RIGHT IS GRANTED TO DISCLOSE OR SO USE ANY INFORMATION CONTAINED IN SAID DOCUMENT.

THE SIEMON COMPANY  
101 SIEMON COMPANY DRIVE  
WATERTOWN, CT 06795  
(860) 945-4200 www.siemon.com



TOLERANCES	DRAWN BY	DATE
0 [0]	D.HUNKINS	10/29/08
0.0 [0.00]	CHECKED BY D.GIAMPINETRO	DATE 10/30/08
0.00 [0.000]	ENGINEER D.HUNKINS	DATE 10/29/08
ANGLE	1°	
ANSI Y14.5M-1982 OR ISO 1101, 129 & 3040		
DIMENSIONS IN SQUARE BRACKETS ARE [in] ALL OTHER DIMENSIONS ARE MILLIMETERS.		
DO NOT SCALE		

TITLE KEYSTONE ZMAX 5e AND 6A OUTLETS SHIELDED

DWG. NO. B-9079089

PART NO. Z(XX)-SK(XX)(B) REV. C

SCALE 2:1 SHEET 1 OF 1

6. CONTACT A CUSTOMER SERVICE REPRESENTATIVE FOR ADDITIONAL INFORMATION.  
5. OUTLETS MOUNT IN MOST KEYSTONE FACEPLATES AND ADAPTERS.  
4. TRANSMISSION PROPERTIES MEET OR EXCEED ALL TIA, ISO AND IEEE PERFORMANCE REQUIREMENTS  
3. REFERENCE PRODUCT INSTRUCTIONS FOR USE OF APPLICABLE PRODUCT.  
2. PENDING LISTED PER UL 1863 AND APPROVED PER CSA C22.2.  
1. MATERIALS: FLAME RETARDANT THERMOPLASTIC, NICKEL PLATED/ZINC ALLOY HOUSING; CONTACTS: PLATED PHOSPHOR BRONZE; STAINLESS STEEL.

(C1)

NOTES:

CUSTOMER USE DRAWING